



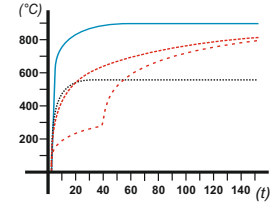
SEALED TIGHT SOLUTIONS

fire & smoke acoustic

fire, smoke & acoustic test data

All STS test data is sourced, supplied and verified by independent, UKAS-accredited test facilities in accordance with all relevant British and European standards.

BS 9999
BS 476: 22 - 1987
BS 8214 - 2008
BS EN 1634 - 1: 2008

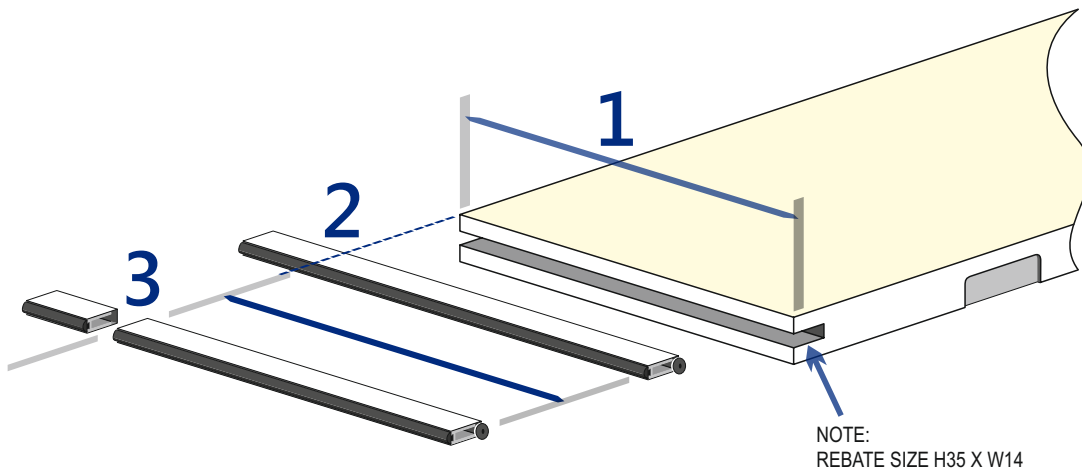


STS 422GT FITTING GUIDE

:XX

Procedure

Assumes pre-cut rebate of 35mm X 14mm



1. Measure width of door
2. Transfer measurement to dropseal
3. Cut
4. Insert dropseal into rebate
5. Insert/position end plates
6. Secure end plates with screws

